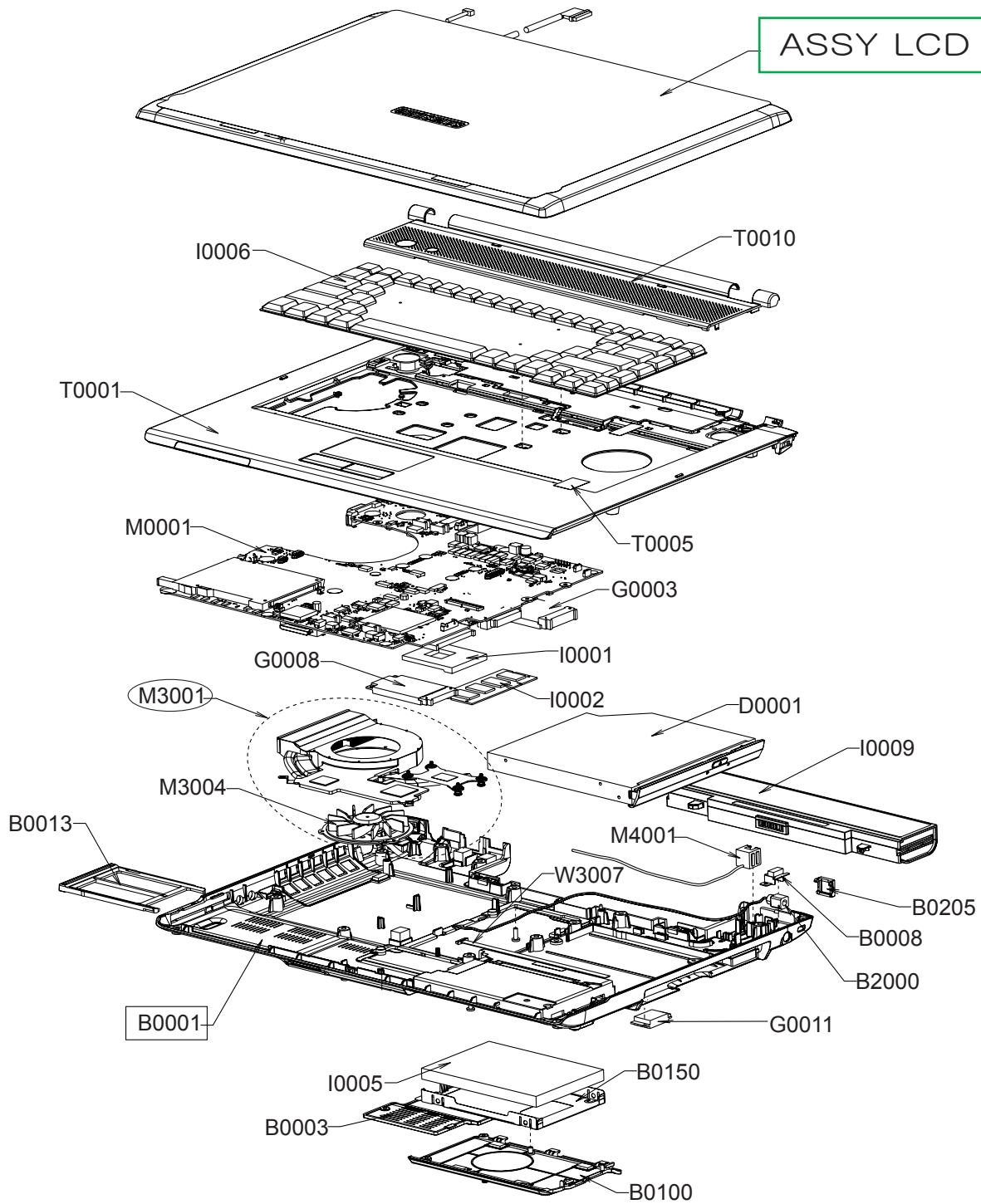


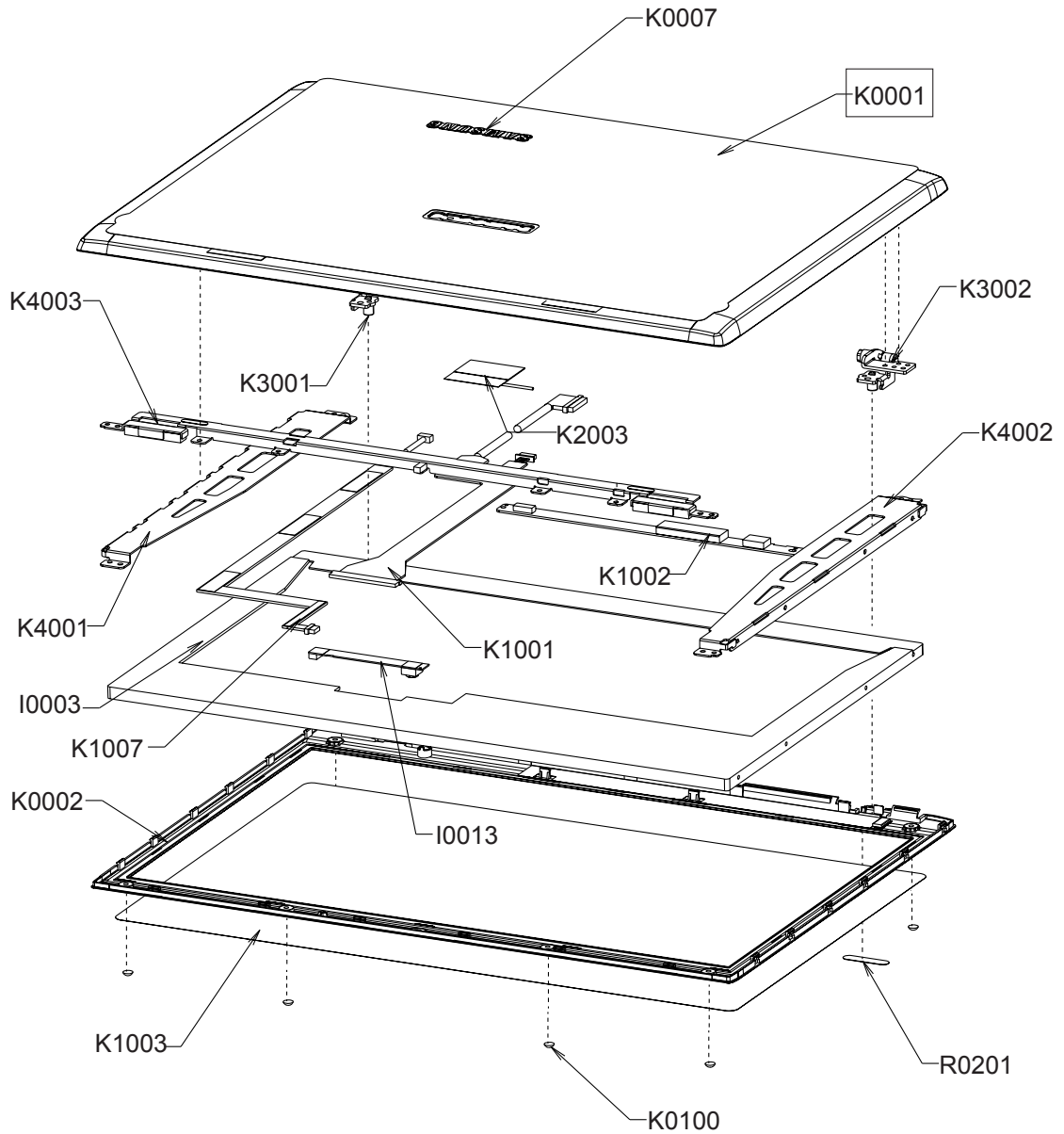
## 5. Exploded view and Part List

### SYSTEM



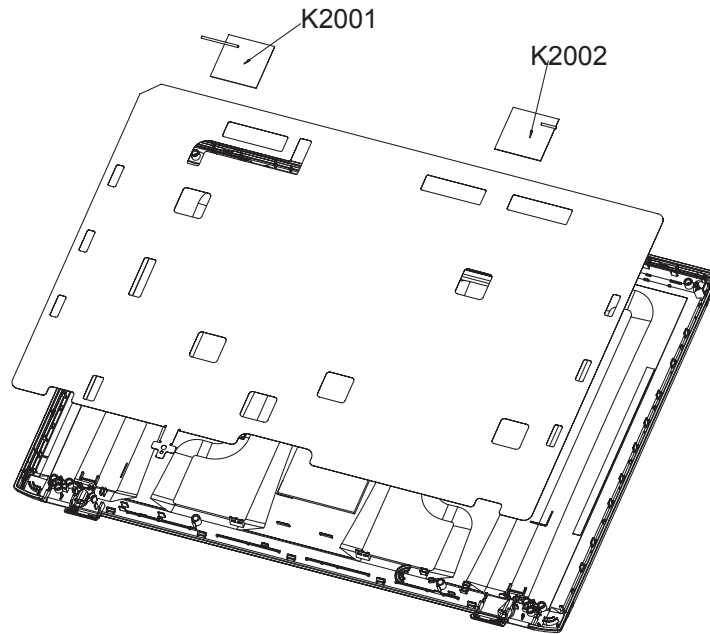
## 5. Exploded view and Part List

# ASSY-LCD

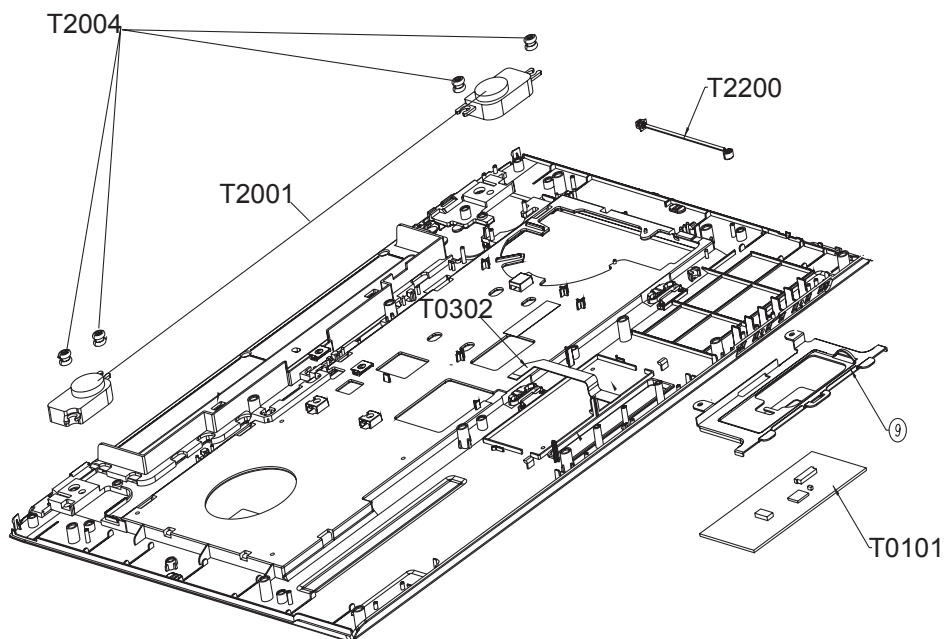


## 5. Exploded view and Part List

### UNIT-HOSUNG\_BACK

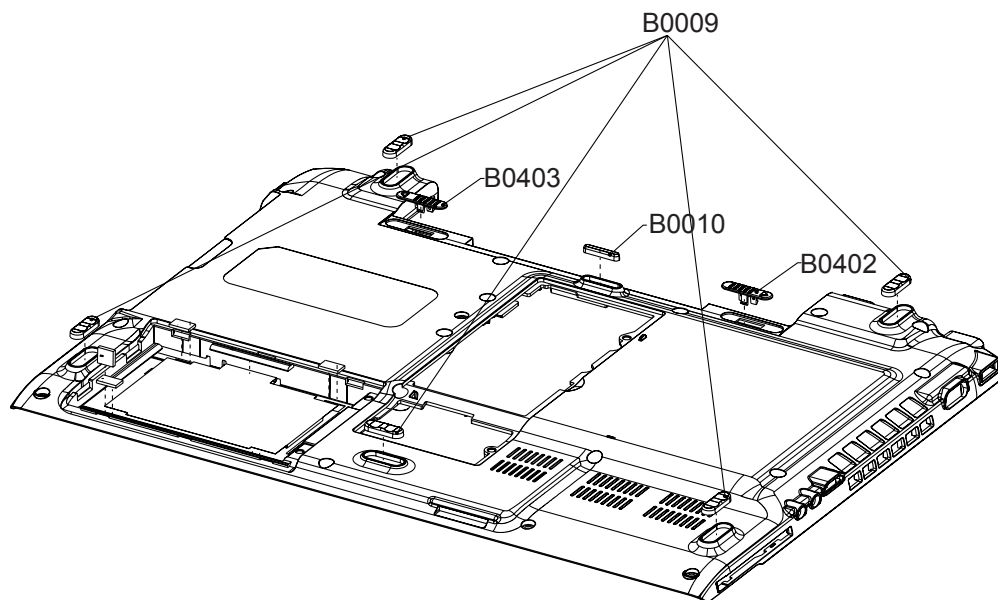
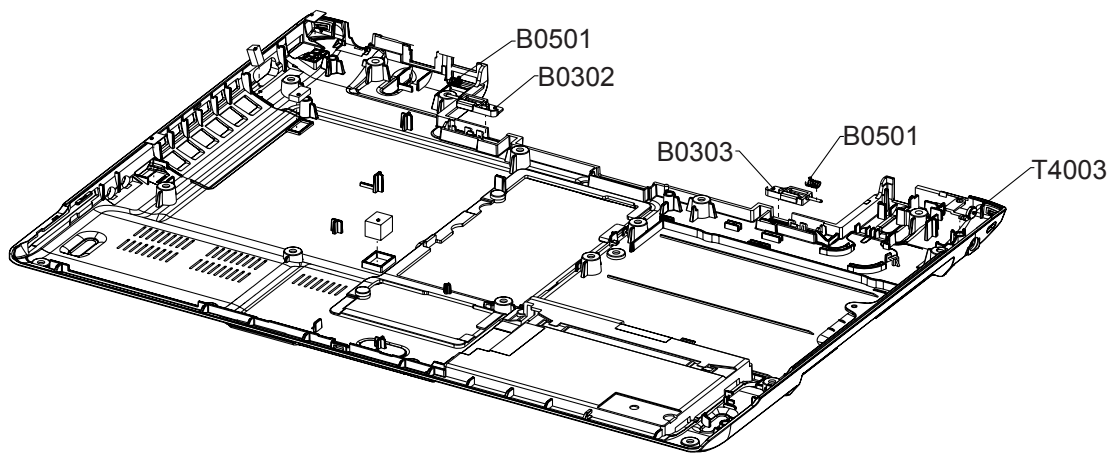


### UNIT-HOSUNG\_TOP



## 5. Exploded view and Part List

# UNIT-HOSUNG\_BOTTOM

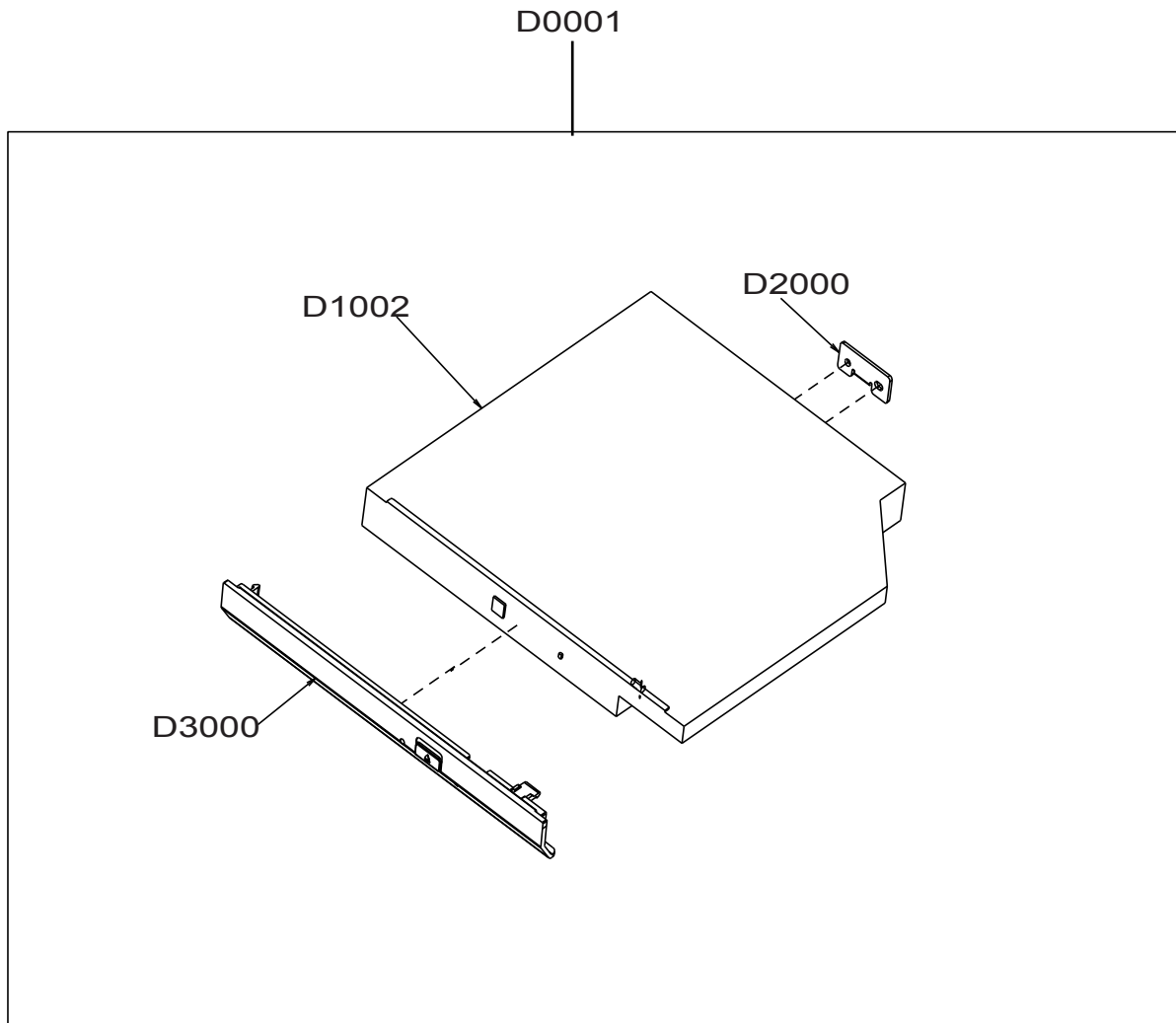


---

## 5. Exploded view and Part List

---

### Unit-ODD



## 5. Exploded view and Part List

### NP-R70A001/SER

Location Code	Part Number	Parts Name & Specification	Q'ty	SA/SNA
A0010	3903-000115	CBF-POWER CORD;DT,EU,CP3,IEC320 C5,250/2	1	SA
A1001	BA46-05728A	S/W CD;RCD,NP/DT,VISTAHP,1.0,RUS,DVD,1/1	1	SA
B0001	BA75-01856A	UNIT-HOUSING_BOTTOM;OSLO,SEC,PC+ABS, T1.	1	SA
B0003	BA81-03380A	DOOR-MEMORY;OSLO,PC+ABS,W64.5*L160.5*H9,	1	SA
B0009	BA81-03443A	RUBBER-FOOT;HAINAN2,DOMESTIC,SR,L19*W6.5	5	SA
B0010	BA81-03458A	RUBBER-FOOT_CENTER;OSLO,SILICON,HS70,W3.	1	SA
B0013	BA61-00988B	DUMMY CARD-PCMCIA;OSLO,PC+ABS,T1.5,W54.0	1	SA
B0100	BA75-01860A	UNIT-DOOR_HDD;OSLO,SEC,PC+ABS,1.5T,W114.	1	SA
B0101	BA73-00262A	RUBBER-HDD_SUPPORT;AQUILA,PORON,W6*L10*T	4	SA
B0150	BA75-01788A	UNIT-BRKT_HDD;FIRENZE2,SESC,SUS T0.3,W10	1	SA
B0302	BA81-02795A	LINK-BATTERY_L;FIRENZE2,POM,L26.4*W10.8*	1	SA
B0303	BA81-02794A	LINK-BATTERY_R;FIRENZE2,POM,L26.4*W10.8*	1	SA
B0402	BA81-03382A	KNOB-BATTERY_R;OSLO,PC+ABS,W25*L6.5*H7.8	1	SA
B0403	BA81-03383A	KNOB-BATTERY_L;OSLO,PC+ABS,W25*L6.5*H7.8	1	SA
B0501	BA61-00780A	SPRING ETC-BATT;AQUILA-P,STS304,CD0.3,ID	2	SA
D0001	BA96-03223A	ASSY DVD-SUPERMULTI;OSLO,SUPERMULTI,TEAC	1	SA
D0001	BA96-03241A	ASSY DVD-SUPERMULTI;OSLO,Matsushita, UJ-	1	SA
D0001	BA96-03242A	ASSY DVD-SUPERMULTI;OSLO,TSST, TS-L632D,	1	SA
D1002	BA59-01900A	DVD-SUPERMULTI;TS-L632D,8x,130ms,EIDE,2M	1	SA
D1002	BA59-01970A	DVD-SUPERMULTI;UJ-850,8X,180ms,E-IDE,2M,	1	SA
D1002	BA59-02020A	DVD-SUPERMULTI;DV-W28E-C,8X,110ms,E-IDE,	1	SA
D2000	BA81-03428A	BRACKET-ODD;OSLO,SUS304,W27*L10*T1.0mm,N	1	SA
D3000	BA75-01863B	UNIT-BEZEL_ODD-MULTI_DL;HAINAN2,DOMESTIC	1	SA
G0003	BA59-01724A	MODULE-WLAN;Habana,3945ABGMOW2,WMAC+RF,2	1	SA
G0011	BA59-01691A	MODULE-BLUETOOTH;Bluetooth V2.0,T60H928.	1	SA
G0011	BA59-01916A	MODULE-BLUETOOTH;Bluetooth Version 2.0,B	1	SA
I0001	0902-002196	IC-MICROPROCESSOR;LF80537GG0332M,1.8GHz,	1	SA
I0002	1105-001684	IC-DRAM MODULE;M470T2953,DDR2 667MHz,1GB	1	SA
I0002	1105-001790	IC-DRAM MODULE;NT1GT64U8HB0BN-3C,DDR2,1G	1	SA
I0003	BA59-02105A	LCD PANEL-154WSXGA+;LTN154P4-L02-G,15.4W	1	SA
I0005	BA59-01957A	HDD;120G,MHV2120BH-PL,S63,H16,D16385,H9.	1	SA
I0005	BA59-02002A	HDD;120G,HTS541612J9SA00,S63,H16,D16385,	1	SA
I0005	BA59-02011A	HDD;120G,ST9120822AS,S63,H16,D16385,H9.5	1	SA
I0005	BA59-02039A	HDD;120G,HM120JI,S63,H16,D16385,H9.5mm,2	1	SA
I0005	BA59-02087A	HDD;120G,MHW2120BH,S63,H16,D16385,H9.5mm	1	SA
I0006	BA59-02044C	KEYBOARD;OSLO,88K,M/B,-,RUSSIA,-,BLACK,-	1	SA

## 5. Exploded view and Part List

### NP-R70A001/SER

Location Code	Part Number	Parts Name & Specification	Q'ty	SA/SNA
I0007	BA44-00210A	ADAPTOR;API5AD10,AD-9019S,AC/DC,90to264V	1	SA
I0007	BA44-00215A	ADAPTOR;0455A1990,AD-9019S,AC/DC,90to264	1	SA
I0007	BA44-00233A	ADAPTOR;SADP-90FH BAF,AD-9019S,ACtoDC,10	1	SA
I0007	BA44-00244A	ADAPTOR;PA-1900-08S,AD-9019S,AC/DC,90to2	1	SA
I0009	BA43-00149A	BATTERY;P32R07-02-H01,SEDONA,LI-ION,2P3S	1	SA
I0009	BA43-00150A	BATTERY;3UR18650F-2-SDN-12,Sedona,Li-ion	1	SA
I0013	BA59-02088A	MODULE-CAMERA;Oslo,SCB-1000S,1.3M CAMERA	1	SA
K0001	BA75-01858A	UNIT-HOUSING_LCD_BACK;OSLO,SEC,PC+ABS, 1	1	SA
K0002	BA75-01855A	UNIT-HOUSING_LCD_FRONT;OSLO,SEC,PC+ABS,	1	SA
K0007	BA64-00716A	LOGO-SAMSUNG;HAINAN2,DOMESTIC,T0.75,8.25	1	SA
K0100	BA81-03467A	RUBBER-LCD_CAP;OSLO,SILICON,HS60,W5*L5*H	6	SA
K0201	BA68-03621A	LABEL-R70;OSLO,SEC,PC,T0.3,W5.8,L24.8mm,	1	SA
K0301	BA81-01824A	SPONGE-BACK_CENTER;FIRENZE,CR SPONGE,W50	1	SA
K1001	BA39-00637A	CBF HARNESS-CONN;OSLO,Teflon,UL10005,30/	1	SA
K1001	BA39-00638A	CBF HARNESS-CONN;OSLO,Wire,UL10005,30/8/	1	SA
K1002	BA44-00248A	INVERTER;OSLO,541180560003,DC,8.5to20V,1	1	SA
K1003	BA63-00543A	PROTECTOR-LCD_FRONT;FIRENZE2,PET,T0.1mm,	1	SA
K1007	BA39-00639A	CBF HARNESS-WEBCAMERA;OSLO,WIRE,-,5/4,L3	1	SA
K1007	BA39-00640A	CBF HARNESS-WEBCAMERA;OSLO,WIRE,-,5/4,L3	1	SA
K2001	BA42-00182A	ANTENNA-MAIN;SS-03-03-099,Oslo,2.3to6GHz	1	SA
K2002	BA42-00183A	ANTENNA-AUX;SS-03-03-100,Oslo,2.3to6GHz,	1	SA
K3001	BA61-01113A	HINGE-L;OSLO,SUS,H20,W31,L24mm,NTR,-,DET	1	SA
K3002	BA61-01116A	HINGE-R;OSLO,SUS,H20,W31,L24mm,NTR,-,DET	1	SA
K4001	BA81-03386A	BRACKET-LCD_L;OSLO,SECC,T0.8,W28.2*L246.	1	SA
K4002	BA81-03387A	BRACKET-LCD_R;OSLO,SECC, 0.8T,W26.2*L246	1	SA
K4003	BA75-01886B	UNIT-BRACKET_LCD_UPPER;OSLO,SEC,SUS,T0.8	1	SA
L1004	BA68-20039A	LABEL-PPID_E;BLADE,-,PET,-,W50.8,L12.7mm	1	SA
L1005	BA68-20323A	LABEL CAUTION;NOTE PC,-,PET,T0.06,W30.0,	1	SA
M0001	BA92-04575A	ASSY MOTHER BD-TOP;OSLO,Merom,DDR2 667/5	1	SA
M0006	BA39-00431A	WIRE HARNESS;RTC battery assy.,-,UL 1061	1	SA
M0006	BA39-00534A	WIRE HARNESS;TC05D37,AWG28,UL 1061,2PIN,	1	SA
M1002	3301-001594	BEAD-SMD;90ohm,2.0*1.2*1.3mm,-,TP,-,-,-	1	SA
M1004	2203-005052	C-CER,CHIP;0.0033nF,0.25pF,50V,NP0,1005	1	SA
M1004	2203-005918	C-CER,CHIP;1000nF,10%,6.3V,X7R,1608	1	SA
M1004	2203-006000	C-CER,CHIP;1NF,10%,3KV,X7R,TP,4520	1	SA
M1004	2203-006382	C-CER,CHIP;10000nF,10%,25V,X7R,3225	1	SA

## 5. Exploded view and Part List

### NP-R70A001/SER

Location Code	Part Number	Parts Name & Specification	Q'ty	SA/SNA
M1008	3708-002190	CONNECTOR-FPC/FFC/PIC;12,0.5,SMD-A,AUF,Y	1	SA
M1009	3711-000456	HEADER-BOARD TO CABLE;BOX,4P,1R,1.25mm,S	1	SA
M1009	3711-003609	HEADER-BOARD TO CABLE;BOX,2P,1R,1.25MM,S	1	SA
M1009	3711-004646	HEADER-BOARD TO BOARD;NOWALL,68P,2R,1.27	1	SA
M1013	2801-003856	CRYSTAL-SMD:0.032768MHz,20ppm,28-ACP,7pF	1	SA
M1016	0401-000132	DIODE-SWITCHING:BAV99,70V,50mA,SOT-23,TP	1	SA
M1016	0401-000191	DIODE-SWITCHING:MMBD4148,75V,200mA,SOT-2	1	SA
M1017	0403-000285	DIODE-ZENER:MMBZ5240B,5%,225mW,SOT-23,TP	1	SA
M1018	0505-001562	FET-SILICON;SI4816DY,N,30V,5.3/7.7A,30/1	1	SA
M1021	1201-001991	IC-AUDIO AMP;TPA6017A2PWPR,TSSOP,20P,6.5	1	SA
M1025	1203-003344	IC-POSI.FIXED REG.:MIC5252,SOT-23,5P,2.9	1	SA
M1028	3722-002002	JACK-USB;4P/1C,TIN,BLK,ANGLE-OFFSET,-	1	SA
M1036	0504-001157	TR-DIGITAL;DTA114YUA,PNP,200mW,10K/47K,U	1	SA
M1055	1201-001877	IC-OP AMP;LMV358M,SO,TP,8P,390MIL,DUAL,-	1	SA
M1059	1203-003480	IC-BATTERY;MAX1909,TQFN,28P,5x5mm,PLASTI	1	SA
M3001	BA96-03224A	ASSY COOLER-CPU;OSLO,CPU,MCF-912BM05,30m	1	SA
M3004	BA81-03505A	FAN;OSLO,MCF-912BM05,PET,2600rpm,5V,-,-,	1	SA
M4000	BA39-00632A	CBF HARNESS-MODEM;OSLO,WIRE,-,2,220mm,BL	1	SA
M4000	BA59-02036A	MODEM;1456VQL-T3(INT-RoHS),56Kbps,Agere	1	SA
M4000	BA59-02037A	MODEM;T60M951.07 LF,56Kbps,Agere 2 Chip,	1	SA
M4001	BA39-00593A	CBF HARNESS;FIRENZE2,WIRE,-,2,240mm,BLAC	1	SA
M9999	0402-001405	DIODE-SCHOTTKY;B340A,40V,3mA,SMA,TP	1	SA
M9999	0403-001047	DIODE-ZENER;BZX84C12L,5%,225mW,SOT-23,TP	1	SA
M9999	0501-000465	TR-SMALL SIGNAL;MMBT3904,NPN,350mW,SOT-2	1	SA
M9999	0505-001386	FET-SILICON;FDS6680A,N,30V,12.5A,0.0095o	1	SA
M9999	0505-002068	FET-SILICON;SM6K2,N,60V,200mA,4ohm,0.2W,	1	SA
M9999	0601-000189	LED;SMD,P-GRN,3.2X1.6X1.1MM,557NM,3.2X1.	1	SA
M9999	0601-001402	LED;SMD,RED/Y-GRN,1.2X1.5MM,660/570NM,1.	1	SA
M9999	0601-002037	LED;SMD,BLUE,1.6x0.8x0.4mm,465/470nm,1.6	1	SA
M9999	0801-002628	IC-CMOS LOGIC;7SZ08,2-INPUT AND GATE,SC7	1	SA
M9999	0903-001439	IC-MICROCOMPUTER;H8S/2110B,16Bit,TQFP,10	1	SA
M9999	0904-002063	IC-BUS CONTROLLER;R5C843,32Bit,CSP,208P,	1	SA
M9999	0904-002219	IC-DRAM CONTROLLER;LE88CLPM,FCBFA,1299P,	1	SA
M9999	0904-002220	IC-I/O CONTROLLER;NH82801HBM,BGA,676P,31	1	SA
M9999	0904-002224	IC-GRAPHIC CONT.;NB8P-SE,BGA,820P,33x33m	1	SA
M9999	1001-001097	IC-ANALOG SWITCH;FST3125,BUS SWITCH,TSSO	1	SA

## 5. Exploded view and Part List

### NP-R70A001/SER

Location Code	Part Number	Parts Name & Specification	Q'ty	SA/SNA
M9999	1103-001333	IC-EEPROM;24C08A,1Kx8Bit,SOP,8P,5x4mm,-,	1	SA
M9999	1105-001688	IC-VIDEO RAM;K4J52324QC,GDDR3,512Mbit,8x	1	SA
M9999	1107-001646	IC-FLASH MEMORY;MX25L8005,8Mbit,8Mx1,SOP	1	SA
M9999	1107-001674	IC-FLASH MEMORY;M25PE80,8Mbit,8Mx1,SOP,8	1	SA
M9999	1203-003476	IC-PWM CONTROLLER;ISL6227,SSOP,28P,9.9x3	1	SA
M9999	1203-003765	IC-PWM CONTROLLER;SC486IMLTRT,MLP,24P,4x	1	SA
M9999	1203-003898	IC-POWER SUPERVISOR;SC452IMLTRT,MLP,44P,	1	SA
M9999	1203-003903	IC-PWM CONTROLLER;SC470ITSTRT,TSSOP,14P,	1	SA
M9999	1203-004108	IC-PWM CONTROLLER;MAX8734AEEI+T,QSOP,28P	1	SA
M9999	1205-002596	IC-SWITCH;TPS2062,SOIC,8P,5x6x1.65mm,PLA	1	SA
M9999	1205-002806	IC-SWITCH;R5534V-E2-FB,SSOP,20P,6.7x4.4m	1	SA
M9999	1205-002853	IC-CODEC;ALC262-GR,LQFP,48P,7x7mm,PLASTI	1	SA
M9999	1205-003091	IC-ETHERNET CONTROLLER;88E8055,QFN,64P,9	1	SA
M9999	1205-003156	IC-CLOCK GENERATOR;SLG8SP513,QFN,64P,9x9	1	SA
M9999	1205-003159	IC-CLOCK GENERATOR;IDTCV179CNLG,MLF,64P,	1	SA
M9999	1209-001718	IC-SENSOR;EMC2102,QFN,28P,5x5mm,PLASTIC,	1	SA
M9999	2007-008706	R-CHIP;45.3ohm,1%,1/16W,TP,1005	1	SA
M9999	2007-008789	R-CHIP;0.001ohm,1%,1W,TP,6432	1	SA
M9999	2203-001201	C-CER,CHIP;0.0070nF,0.5pF,50V,NP0,1005	1	SA
M9999	2203-002487	C-CER,CHIP;4.7nF,10%,25V,X7R,1005	1	SA
M9999	2203-006048	C-CER,CHIP;100nF,10%,10V,X7R,1005	1	SA
M9999	2203-006090	C-CER,CHIP;10000nF,10%,6.3V,X5R,2012	1	SA
M9999	2203-006093	C-CER,CHIP;1000nF,+80-20%,6.3V,Y5V,1005	1	SA
M9999	2203-006474	C-CER,CHIP;22000nF,20%,6.3V,X5R,2012	1	SA
M9999	2402-001120	C-POLYMER AL CHIP;330uF,0.2,6.3V,-,TP,7.	1	SA
M9999	3301-001772	BEAD-SMD;27ohm,1608,-,TP,30ohm/120MHz,48	1	SA
M9999	3404-001311	SWITCH-TACT;12VDC,50mA,100gf,6.0x6.0x5.0	1	SA
M9999	3701-001326	CONNECTOR-DSUB;15P,2R,FEMALE,ANGLE,NI	1	SA
M9999	3701-001391	CONNECTOR-HDMI;19P,2R,FEMALE,SMD-A,AU	1	SA
M9999	3704-001153	SOCKET-IC;479P,PGA,AU,1.27mm	1	SA
M9999	3708-002166	CONNECTOR-FPC/FFC/PIC;25P,0.5mm,SMD-A,AU	1	SA
M9999	3709-001390	CONNECTOR-CARD EDGE;200P,0.6mm,SMD-A,AU,	1	SA
M9999	3709-001398	CONNECTOR-CARD EDGE;52P,0.8mm,SMD-A,AU,M	1	SA
M9999	3709-001401	CONNECTOR-CARD EDGE;52P,0.8mm,SMD-A,AU,m	1	SA
M9999	3709-001413	CONNECTOR-CARD EDGE;44P,0.8mm,SMD-A,AU,4	1	SA
M9999	3709-001425	CONNECTOR-CARD EDGE;-,-,-,Ni,PCMCIA Fram	1	SA

## 5. Exploded view and Part List

### NP-R70A001/SER

Location Code	Part Number	Parts Name & Specification	Q'ty	SA/SNA
M9999	3710-002133	SOCKET-BOARD TO BOARD;12P,2R,0.8mm,SMD-A	1	SA
M9999	3710-002294	CONNECTOR-SOCKET;50P,2R,0.8mm,ANGLE,AU,B	1	SA
M9999	3710-002471	CONNECTOR-SOCKET;7+15P,1R,1.27mm,SMD-A,A	1	SA
M9999	3710-002498	SOCKET-BOARD TO CABLE;30P,2R,10mm,SMD-A,	1	SA
M9999	3711-000541	HEADER-BOARD TO CABLE;BOX,2P,1R,1.25mm,S	1	SA
M9999	3711-002050	CONNECTOR-HEADER;BOX,10P,1R,1.25mm,SMD-A	1	SA
M9999	3711-003688	HEADER-BOARD TO CABLE;BOX,8P,1R,1.25MM,S	1	SA
M9999	3711-006059	HEADER-BATTERY;NOWALL,7P,1R,2.5,BATTERY,	1	SA
M9999	3722-002132	JACK-DC POWER;3P,5.5mm,SN-P,BLK	1	SA
M9999	3722-002365	JACK-PHONE;6P,AUF,PINK	1	SA
M9999	3722-002382	JACK-USB;4P/2C,AUF,BLK,ANGLE-OFFSET,A TY	1	SA
M9999	3722-002390	JACK-MODULAR;8P/8C,REVERSE,YES,ANGLE-OFF	1	SA
M9999	3722-002416	JACK-PHONE;6P,AUF,LIME,ANGLE	1	SA
M9999	BA61-00963A	SUPPORT-VIDEO_BOARD-LF;VENICE,CU ALLOY,T	1	SA
M9999	BA61-01060B	BRACKET-SUPPORT_CPU;OSLO,AL,T1.5,W24,L43	1	SA
M9999	BA62-00389A	INSULATION-MEMORY;SEDONA,PC,T0.2,W64,L30	1	SA
M9999	BA63-00029A	GASKET-CPU;BLADE,71TS,T1.5,W4.0,L9.0mm,N	1	SA
M9999	BA81-02808A	INSULATOR-PCMCIA;FIRENZE2,PC,W72*L50*T0.	1	SA
M9999	BA81-03488A	INSULATOR-DVBT;OSLO,PC,T0.1,W47*L30mm,BL	1	SA
T0001	BA75-01859A	UNIT-HOUSING_TOP;OSLO,SEC,PC+ABS,1.6T,W	1	SA
T0002	BA81-03762A	HOUSING-TOP_SVC;OSLO,SEC,PC+ABS,T1.6,W35	1	SA
T0005	BA68-02155A	LABEL-NVIDIA;AQUILA,ALL,-,-,W20,L20MM,SI	1	SA
T0005	BA68-03651A	LABEL-ZAIGEN;OSLO,CIS,PET,-,W100,L60mm,-	1	SA
T0005	BA68-03686A	LABEL-LOGO_VISTA-PREMIUM;N/P ALL,VISTA P	1	SA
T0005	BA68-03880A	LABEL-LOGO_CENTRINO-DUO2_SANTA;OSLO,N/P	1	SA
T0010	BA75-01857A	UNIT-HOUSING_CAP_TOP;OSLO,SEC,PC+ABS,T1.	1	SA
T0101	BA59-01801A	BOARD-TOUCHPAD;Hainan,TM-00379-003,BONGW	1	SA
T0302	BA41-00729A	FFC-TOCUPAD;OSLO,1.0,Film,12PIN,T0.3mm,T	1	SA
T2001	BA96-03220A	ASSY SPEAKER;OSLO,X03020R-005,W170*L470m	1	SA
T2004	BA81-00766A	RUBBER-SPEAKER;NEON,SILICON/HS40,W6.2*L6	4	SA
T2200	BA39-00524A	CBF HARNESS-MIC;HABANA,-,AWG32,2P,-,Writ	1	SA
T4003	BA67-00292A	CAP-DMB;FIRENZE2,PC/ABS,T1.5,W4.5,L2.8mm	1	SA
W3007	BA39-00536A	WIRE HARNESS-BLUETOOTH;HABANA,Wire,UL157	1	SA
W4001	6001-001625	SCREW-MACHINE;BH,+,-,M2.6,L8,ZPC(BLK),SW	2	SA
W4002	6001-001406	SCREW-MACHINE;CH,+,-,M2.0,L6.0,NI PLT,SWRC	2	SA
W4002	6001-001480	SCREW-MACHINE;CH,+,-,M3,L4.0,ZPC(BLK),SWRC	2	SA
W4002	6001-001570	SCREW-MACHINE;CH,+,-,M2,L4,ZPC(BLK),SWRC	1	SA